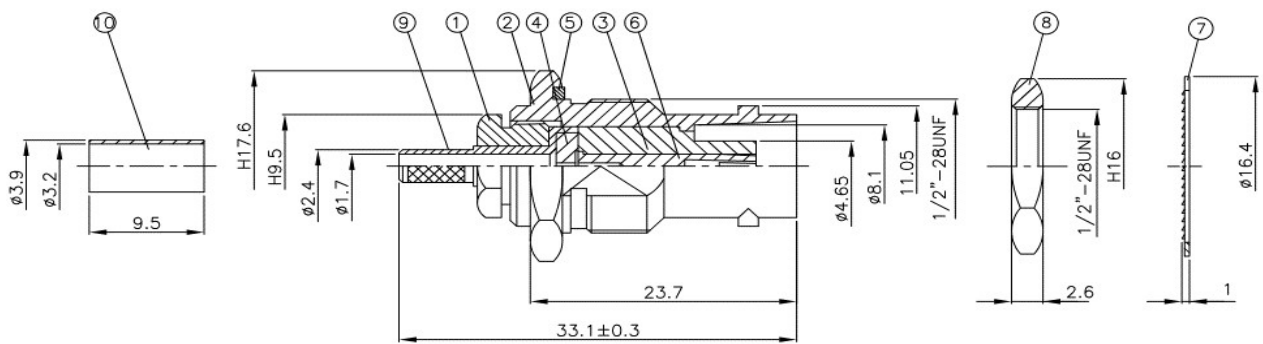
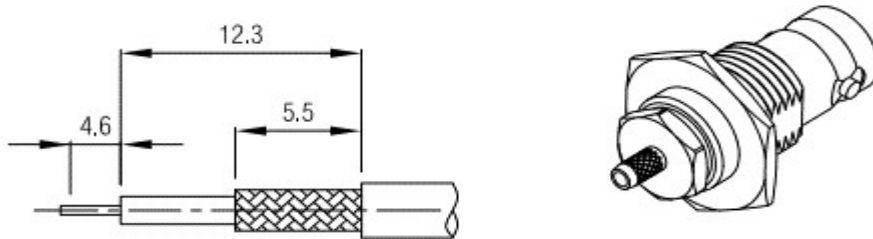


B-125-A

BNC Einbaubuchse crimp / RG174, RG316 mit O-Ring



NO	DESCRIPTION	MATERIAL	Q' TY	FINISH
1	NUT	BRASS	1	NICKEL
2	BODY 1	BRASS	1	NICKEL
3	INSULATION	TEFLON	1	TEFLON
4	INSULATION	TEFLON	1	TEFLON
5	GASKET	RUBBER	1	RUBBER
6	PIN	BRASS	1	GOLD
7	WASHER	BRASS	1	NICKEL
8	NUT	BRASS	1	NICKEL
9	BODY 2	BRASS	1	NICKEL
10	RING	BRASS	1	NICKEL